

**IMPACT67 E DIO14 DIO2/IOL2 4P**

IMPACT67 EthernetIP compact module, plastic housing,

Digital inputs/outputs

DIO14 IOL2

Ethernet 10/100 Mbit/s; M12, D-coded

7/8", 4-pole, 2× max. 9 A

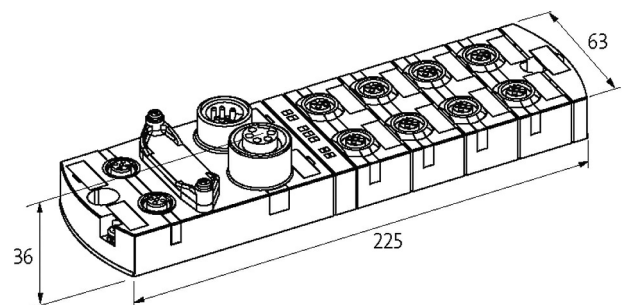
M12, 5-pole, A-coded

DLR (Device Level Ring)

IO-Link Master V1.12

Connection cables are in the online shop under "Connection Technology".

Housing fully potted.

**Illustration**

Product may differ from Image

**Approvals****More Info**

EtherNet/IP

**Input**

Sensor supply US 24 V DC (EN 61131-2), max. 200 mA (M12 female), short-circuit and overload protected

Type for 3-wire sensors or mechanical switches, PNP, IO-Link Devices

**Output**

Actuator supply UA 24 V DC (EN 61131-2), max. 9 A

Switching current per output	max. 1.6 A (short-circuit and overload protected)
Lamp load	10 W

#### Connections

Fieldbus	Ethernet 10/100 Mbit/s; M12, D-coded
Sensor-system/actuator supply	7/8", 4-pole, 2x max. 9 A
I/O ports	M12, 5-pole, A-coded

#### General data

Protection	IP67
Mounting method	2-hole screw mounting, compatible with I/O modules of MVK model range
Dimensions H×W×D	39×63×225 mm
Temperature range	-25...+55 °C (storage temperature -40...+85 °C)

#### IO-Link

IO-Link	2x Master
Operating modes	COM1; COM2; COM3 (automatic)
Transfer parameters	32 Byte (per IO-Link port)
Port Class	Class B (not galvanically separated)
Specification	IO-Link Master V1.12

#### EtherNet/IP

Addressing	DHCP, BOOTP or IP address by DIP switch
QC (Quick Connect)	max. 360 ms
Multiple connections	yes
CIP Sync	yes
Composite Test Revision	CT14
DLR (Device Level Ring)	yes

#### Parameterization

PIN 4	Input/Output (port X0...X7); IO-Link Master (port X6, X7)
PIN 2	Input/Output (port X0...X7); U-Actuator IO-Link Class B (port X6, X7)

#### Diagnostic

Communication status	via LED
Diagnostic via LED	per module and channel
Diagnostic via BUS	per module and channel
Monitoring - under voltage	yes
Monitoring - no voltage	yes
Short-circuit and overload	yes
Actuator warning	per channel via LED and BUS
Cable break	per IO-Link Master

#### Commercial data

country of origin	DE
customs tariff number	85389099
EAN	4048879699716
eClass	27242604
Packaging unit	1